

ATK Tapping Saddle

Ductile iron Clamp saddle:

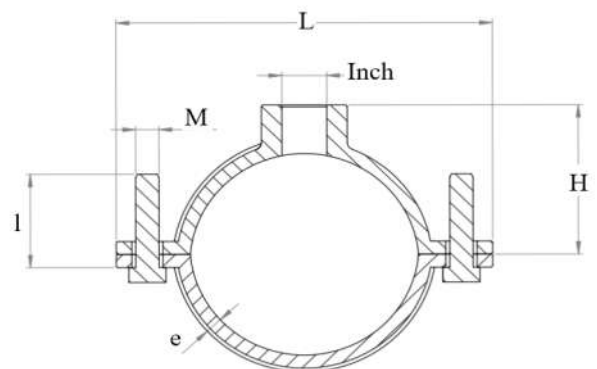
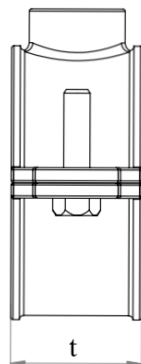
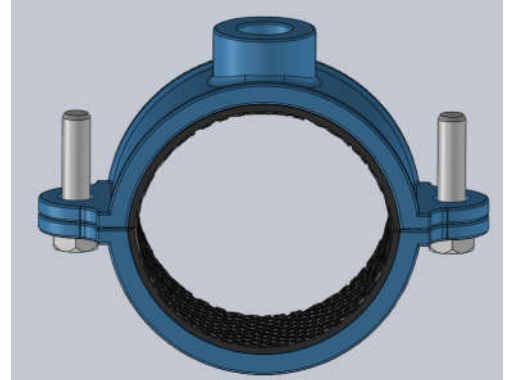
- A complete range of clamp saddles for PE and PVC, steel and iron pipes:

+ Working pressure: 16 bar.

- **Structure:**

+ Body: ductile iron; gasket: EPDM; bolts and nuts: SUS 304/ galvanized steel

DN	Inch	e1	L	H	t	Mxl	Range of pipe (mm)
32	3/4	5	83	35	50	8x30	30-32
40	3/4	5	92	40	50	8x30	38-42
50	3/4	5	100	45	50	8x30	48-50
63	3/4	5	115	50	55	8x30	59-63
75	3/4	5,5	129	55	55	10x40	70-75
80	3/4	7	170	65	60	12x40	89-92
100	3/4	7	193	80	60	14x50	110-114
150	3/4	7,8	248	110	65	14x50	160-168
200	3/4	8,4	283	135	70	16x70	200-205
225	3/4	8,4	316	140	70	16x70	219-225
250	3/4	9	325	145	75	16x70	250-255
280	3/4	9	355	155	75	16x70	273-280
300	3/4	10	400	166	75	16x70	315-325



Manufacturer: HCL SERVICE AND TRADING COMPANY LIMITED

Add. No 12, lane 104/3, Dinh Cong, Phuong Liet, Thanh Xuan, Hanoi, Vietnam

Tel: +84 24.6 674 0333 ; E-mail: hclvietnam2015@gmail.com;

Website: www.hcl.vn

