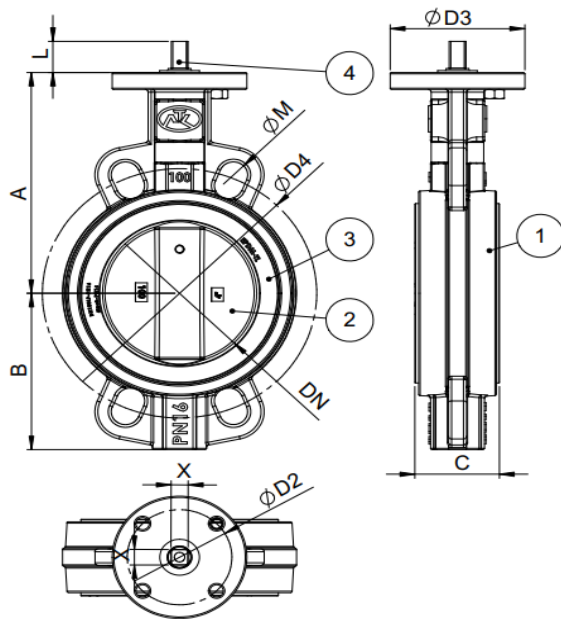




- **Diameter:** DN50 – DN300
- **Design Standard:** BS EN 1074-1
- **Coating:** Epoxy, thickness min 250µm
- **Working Pressure:** PN16
- **Temperature:** Max 70°C

❖ STRUCTURE



BẢO HÀNH 3 NĂM

No	Part	Material
1	Body	Ductile iron GJS-500-7
2	Disc	Stainless SS420
3	Gasket	EPDM rubber
4	Stem	Stainless SS420

SPECIFICATIONS

DN	A (mm)	B (mm)	C (mm)	ΦD (mm)	nxΦ1 (mm)	ΦD2 (mm)	ΦD3 (mm)	ΦD4 (mm)	M (mm)	X	L	Weight (Kg)
50	130	80	43	55	4-9	70	90	125	19	11x11	30	4.8
65	145	91	46	70	4-9	70	90	145	19	11x11	30	5.6
80	152	95	46	80	4-9	70	90	130	19	11x11	30	8.9
100	162.5	115	54	101	4-9	70	90	180	19	11x11	30	9.5
125	215	134	56	126	4-9	70	90	210	19	11x11	30	10.5
150	225	138	56	151	4-10	70	90	240	23	11x11	30	12.5
200	243	174	60	201	4-12	102	125	295	23	15x15	30	17.5
250	296	198	68	250	4-12	102	125	355	23	22x22	30	36
300	336	234	78	300.5	4-12	102	125	410	23	22x22	30	44.8

Manufacturer: HCL MANUFACTURING AND INVESTMENT JSC

Office/Factory: Lot G5, Ha Binh Phuong Industrial zone,
Thuong Tin district, Ha Noi, Vietnam

Rep. office: K48, F Street, KP4, Tan Thoi Nhat Ward, District 12, Ho Chi Minh

<http://www.hcl.vn>

Hotline: 0367.608.608

